



HEAVY DUTY COPPER LUGS

Part #	Description
HDCL1038-X	1/0 ga. 3/8" Hole (Black)
HDCL2038-X	2/0 ga. 3/8" Hole (Orange)
HDCL438-X	4 ga. 3/8" Hole (Gray)
HDCLBU21-X	1-2 ga. Universal Butt
HDCLU2138-X	1-2 ga. Universal 3/8" Hole
HDCL1012-X	1/0 ga 1/2" Hole (Black)
HDCL2012-X	2/0 ga 1/2" Hole (Orange)



Standard Package (X) 10 pcs
Use Suffix (K) for 1000 pcs

HEAVY DUTY SPICE CONNECTORS



Standard Package 10 pcs
Use Suffix-K for 1000 pcs

Part #	Description
HDCLB4-X	4 ga. Butt Connector (Gray)
HDCLBU21-X	1-2 ga. Universal Butt
HDCLB20-X	2/0 ga. Butt Connector (Orange)

Both the heavy duty copper lugs and splice connectors are made from 99.9% copper. Heavier wall thickness and wider pads for greater heat sink when soldered. Electro-tin corrosion resistance, longer barrels for double crimping when necessary, color coded to identify correct gauge.

COPPER CRIMPABLE BATTERY TERMINALS

Straight Style / Standard Package 10 pcs

Part #	Description
CCBTS21P-X	2-1 ga. positive straight (Pink)
CCBTS10P-X	1/0 ga. positive straight (Black)
CCBTS20P-X	2/0 ga. positive straight (Orange)
CCBTS21N-X	2-1g ga. negative straight (Pink)
CCBTS10N-X	1/0 ga. negative straight (Black)
CCBTS20N-X	2/0 ga. negative straight (Orange)
CCBTS4U-X	4 ga. straight universal



Flag Style / Standard Package 10 pcs

Part #	Description
CCFBTS20P-X	2/0 ga. positive flag (Orange)
CCFBTS20N-X	2/0 ga. negative flag (Orange)



Left and Right Handed Style / Std. Pkg. 10 pcs.

Part #	Description
CCBT20LHP-X	2/0 ga. LH positive (Orange)
CCBT20LHN-X	2/0 ga. LH negative (Orange)
CCBT20RHP-X	2/0 ga. RH positive (Orange)
CCBT20RHN-X	2/0 ga. RH negative (Orange)



BENCH STYLE LUG CRIMPER

Lift lever to raise plunger, insert lug, then release & hit with hammer.



PART # BSLC
Crimps battery lugs
8 gauge - 4/0 gauge

COMPACT WIRE CUTTER



PART # BCC9
Compact cable
cutter cuts up to
2/0 gauge wire

BENCH MOUNT CRIMPERS



PART # BCLC-BM
Hex Crimping Tool. Crimps
lugs 8 gauge-4/0 gauge
mounts to any surface

HAND HELD CRIMPER



PART # BCLC
Hex Crimping Tool Crimps
lugs 8 gauge-4/0 gauge.
Take to job site.



LEAD BATTERY TERMINALS

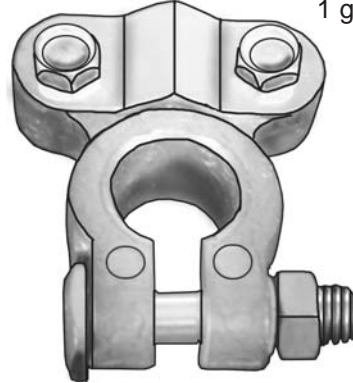
4 gauge - 2 gauge Wire



Cars & Pick-up Trucks

Part #	Description	Std/Pkg	Case/Qty
BT444	Universal	Card/10	10 Cards

1 gauge - 4/0 gauge Wire



Heavy Duty Trucks

Part #	Description	Std/Pkg	Case/Qty
T444	Universal	Card/10	10 Cards

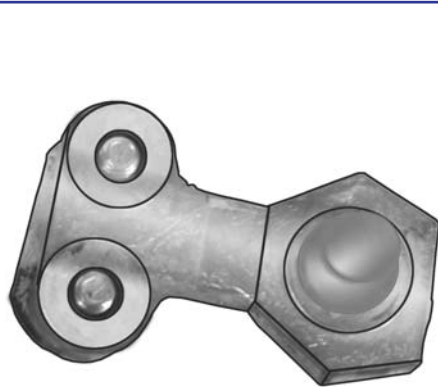
Embedded Nut

- Removable plate for easy assembly
- Fits all top mount batteries
- Holds cable or strap
- Universal fits positive or negative posts



Truck

Part #	Description	Std/Pkg
BT4W	4 Way Entry	Pkg/10
	1 gauge - 3/0 gauge	



Part #	Description	Std/Pkg
BTSM	Side Mount	Card/10
	4 gauge - 2 gauge Wire	



Converts Top to Side Mount

Part #	Description	Std/Pkg
BTST	Side Mount Adapter	Pkg/10

MARINE BATTERY TERMINALS

Part #	Description	Std/Pkg
BTMT	5 Positive & 5 Negative	Card/10
	5/16" Stud & 1/4" Stud	





TOP MOUNT BATTERY CABLE ASSEMBLIES

Mize & Co., battery cables have pressure cast eyelets made of corrosion resistant, special pressure cast alloy. The castings form the copper strands and terminals into a solid mass, providing a perfect electrical bond. All battery cables have a 3/8" eyelet.

Bulk Part #	Packaged Part #	Ga.	Length
X410	X410-S	4 ga	10"
X415	X415-S	4 ga	15"
X420	X420-S	4 ga	20"
X425	X425-S	4 ga	25"
X432	X432-S	4 ga	32"
X438	X438-S	4 ga	38"
X443	X443-S	4 ga	43"
X448	X448-S	4 ga	48"
X456	X456-S	4 ga	56"
X465	X465-S	4 ga	65"
X472	X472-S	4 ga	72"

Bulk Part #	Packaged Part #	Ga.	Length
X210	X210-S	2 ga	10"
X215	X215-S	2 ga	15"
X217	X217-S	2 ga	17"
X220	X220-S	2 ga	20"
X223	X223-S	2 ga	23"
X232	X232-S	2 ga	32"
X238	X238-S	2 ga	38"
X243	X243-S	2 ga	43"
X248	X248-S	2 ga	48"
X253	X253-S	2 ga	53"
X258	X258-S	2 ga	58"
X272	X272-S	2 ga	72"



SIDE MOUNT BATTERY CABLE ASSEMBLIES WITH REGULATOR WIRE



All Side Mount Cables have 3/8" eyelet

Bulk Part #	Packaged Part #	Ga.	Length
SM20	SM20-S	4 ga	20"
SM30	SM30-S	4 ga	30"
SM40	SM40-S	4 ga	40"
SM50	SM50-S	4 ga	50"
SM65	SM65-S	4 ga	65"

SWITCH TO STARTER CABLES & GOLF CART CABLE ASSEMBLIES

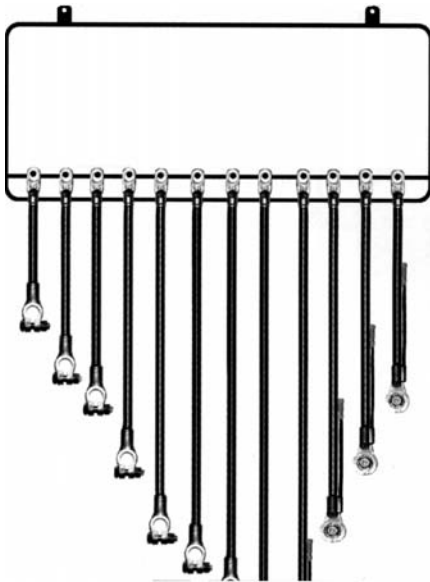


Bulk Part #	Packaged Part #	Description	Eyelet	Ga.	Length
SS410	SS410-S	Switch to Starter/Auto	3/8"	4 ga	10"
SS420	SS420-S	Switch to Starter/Auto	3/8"	4 ga	20"
SS424	SS424-S	Switch to Starter/Auto	3/8"	4 ga	24"
SS432	SS432-S	Switch to Starter/Auto	3/8"	4 ga	32"
SS440	SS440-S	Switch to Starter/Auto	3/8"	4 ga	40"
SS608	SS608-S	Golf Cart Cable	5/16"	6 ga	8"
SS610	SS610-S	Golf Cart Cable	5/16"	6 ga	10"
SS612	SS612-S	Golf Cart Cable	5/16"	6 ga	12"
SS614	SS614-S	Golf Cart Cable	5/16"	6 ga	14"
SS618	SS618-S	Golf Cart Cable	5/16"	6 ga	18"
SS624	SS624-S	Golf Cart Cable	5/16"	6 ga	24"



BATTERY CABLE ASSORTMENT WITH DISPLAY

Mize & Co., battery cable assortments are a combination of the most popular lengths in 4 gauge and 2 gauge wire with cast alloy eyelets terminals. Also has 4 gauge side mount battery cables. Assortment comes with a metal rack.



Part #	Description
BCRA	24 cables assorted with rack Contains 2 ea. of the following items: X409; X420; X424; X430; X210; X217; X223; X272; SM20; SM30; SM50; SM65 and one battery cable rack.

BATTERY TERMINAL FELT WASHERS

Protect against corrosion. Install between battery and battery terminals. Pretreated at factory and sealed in a can.



Top Mount

PART # BTFW
50 Red/50 Black

PART # BTFW-S
1 Red / 1 Black



Side Mount

PART # BTFS
50 Red / 50 Black

PART # BTFS-S
1 Red / 1 Black

BATTERY CABLE ASSORTMENTS

Mize & Co., battery cable assortments are a combination of the most popular lengths. Available in 4 ga or 2 ga wire with cast alloy eyelets & lead terminals. Assortment comes to you boxed. (No Rack)

Part #	Description
ABC4	4 ga battery cables Contain 2 ea. of the following items: X410; X415; X420; X425; X432
ABC2	2ga. battery cables Contains 2 ea. of the following items: X210; X215; X217; X220; X223; X232

BONDING STRAPS

Braided Bonding Straps



Part #	Description
BBS408	4 ga x 8"
BBS412	4 ga x 12"

DIESEL TRUCK DUAL BATTERY CABLES



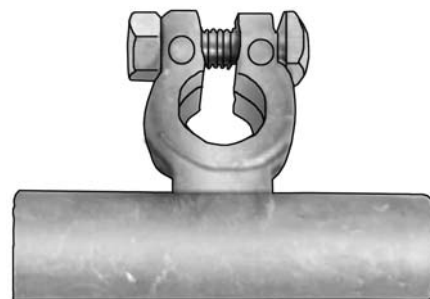
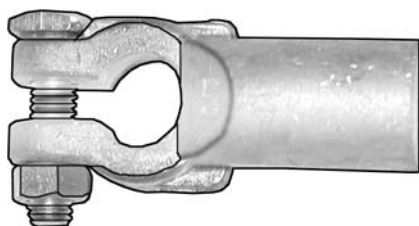
Part #	Qty.	Description	Length
X00108	Pkg/1	Fits Ford Diesel Trucks, Prior to 1992 Reference to Ford #WC8870 2/0 battery cable	108"
X00105	Pkg/1	Fits Ford Diesel Pickup with dual battery from 1992-1994. Reference to Ford #WC8987 2/0 battery cable	105"
X00109	Pkg/1	Fits Ford Diesel Pickup with dual battery, power-stroke models from 1995-1997. Reference to #WC9316 2/0 battery cable.	109"
X00120	Pkg/1	Fits Ford Diesel Pickup universal 2/0 battery cable. from 1997 to present.	120"
X-062	Pkg/1	Fits Dodge Diesel cable 1/0 ga. (Mid 90's)	62"



LEAD KRIMP BATTERY TERMINALS

Universal / Straight / Top Mount

Part #	Description	Std./Pkg
BTLK4	Straight Universal 4 ga	Pkg/10
BTLK2	Straight Universal 2 ga	Pkg/10
BTLK1	Straight Universal 1 ga	Pkg/10
BTLK10	Straight Universal 1/0 ga	Pkg/10
BTLK20	Straight Universal 2/0 ga	Pkg/10

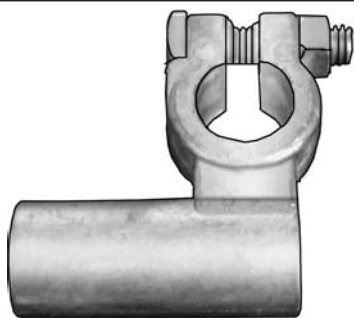


Flag Top Mount

Part #	Description	Std./Pkg
BTLK20AP	Positive Flag 2/0 ga	Pkg/5
BTLK20AN	Negative Flag 2/0 ga	Pkg/5

Left Hand Angle / Top Mount

Part #	Description	Std./Pkg
BTLK20LHP	Positive Left Hand 2/0 ga	Pkg/5
BTLK20LHN	Negative Left Hand 2/0 ga	Pkg/5



Right Hand Angle / Top Mount

Part #	Description	Std./Pkg
BTLK20RHP	Positive Right Hand 2/0 ga	Pkg/5
BTLK20RHN	Negative Right Hand 2/0 ga	Pkg/5

DELUXE KRIMPING MACHINE WITH CUTTER



PART # DKM100
Deluxe Krimping Machine
With Cutter

Krimp Dies

Part #	Description
LKJ4	4 ga
LKJ2	2 ga
LKJ0	1/0 ga
LKJ00	2/0 ga
LKJL	Eyelet Die

Deluxe Krimping Dies

Mize & Company Deluxe Krimping Machine is actually 3 machines combined into one handy center. This machine has the capabilities to utilize our specialized lead terminals to make battery cables ranging in size from 4 ga to 3/0 ga any length or style. In addition, this versatile machine will crimp hose ranging in size from 1/4" to 1" I.D. hose. A heavy duty wire and hose cutter is attached for your convenience. Wire cutter is not recommended to cut steel wire or steel-reinforced hose. [Krimping dies must be purchased separately, allowing you to customize your operation and application.] Dies have gauge and hose I.D. stamped on each die. See page #70 for hose dies available.



QUICK DISCONNECT BATTERY TERMINAL



Simply twist the convenient knob and cut off power to your starter.

Part #	Description	Std/Pkg
BQD-S	Quick Disconnect	1pc/1pkg
BQD-X	Quick Disconnect	10pcs/1box



Optional fused jumper wire rated at 5 amps; supplies power to your vehicle computer, clock, radio, etc. Fits top mount batteries only. **Fused jumper wire must be purchased separately.**

Part #	Description	Std/Pkg
BQDILFH5	Power Supply for BQD	1pc/1pkg

BATTERY BOLTS



BBN112S

Part #	Description	Std/Pkg
BBN112S-X	1-1/2: Lx5/16" Shoulder Nut	Pkg/10
BBN112S	1-1/2: Lx5/16" Shoulder Nut	Pkg/100
SMBL-X	Sidemount Bolt 3/8" x 1" Long	Pkg/10
SMBL-SPR-X	Sidemount Bolt 3/8" x 1" Long + Spacer	Pkg/10
SMB-X	Sidemount Bolt 3/8" x 7/16"	Pkg/10
SMB	Sidemount Bolt 3/8" x 7/16"	Pkg/100
SMB-E-X	Sidemount Bolt 3/8" x 3/8" Long with extension	Pkg/10
SMB-E	Sidemount Bolt 3/8" x 3/8" Long with extension	Pkg/100
SMB-OEM-X	Sidemount Bolt 3/8" x 5/16" Hex	Pkg/10
SMB-OEM	Sidemount Bolt 3/8" x 5/16" Hex	Pkg/100
BBN38-X	3/8" Female cap nut	Pkg/10



SMBL



SMBL-SPR



SMB



SMB-E



SMB-OEM



BBN38-X

MALE & FEMALE CHARGING POSTS



Positive and Negative Male Thread



Universal Female Thread

Part #	Description	Std/Pkg
BTCP-S	Male Post	2pcs/1pkg
BTCP-N-X	Male Neg Post	10pcs/1box
BTCP-P-X	Male Pos Post	10pcs/1 box

Part #	Description	Std/Pkg
FTCP-S	Female Post	2pcs/1pkg
FTCP-X	Female Post	10pcs/1box